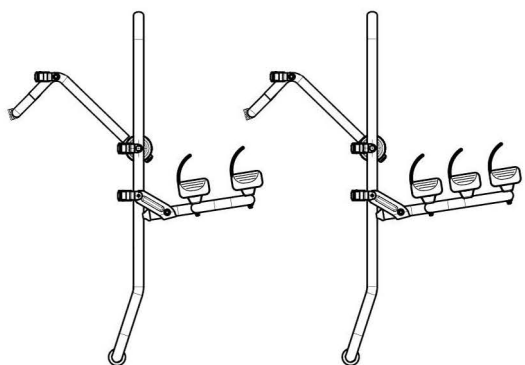
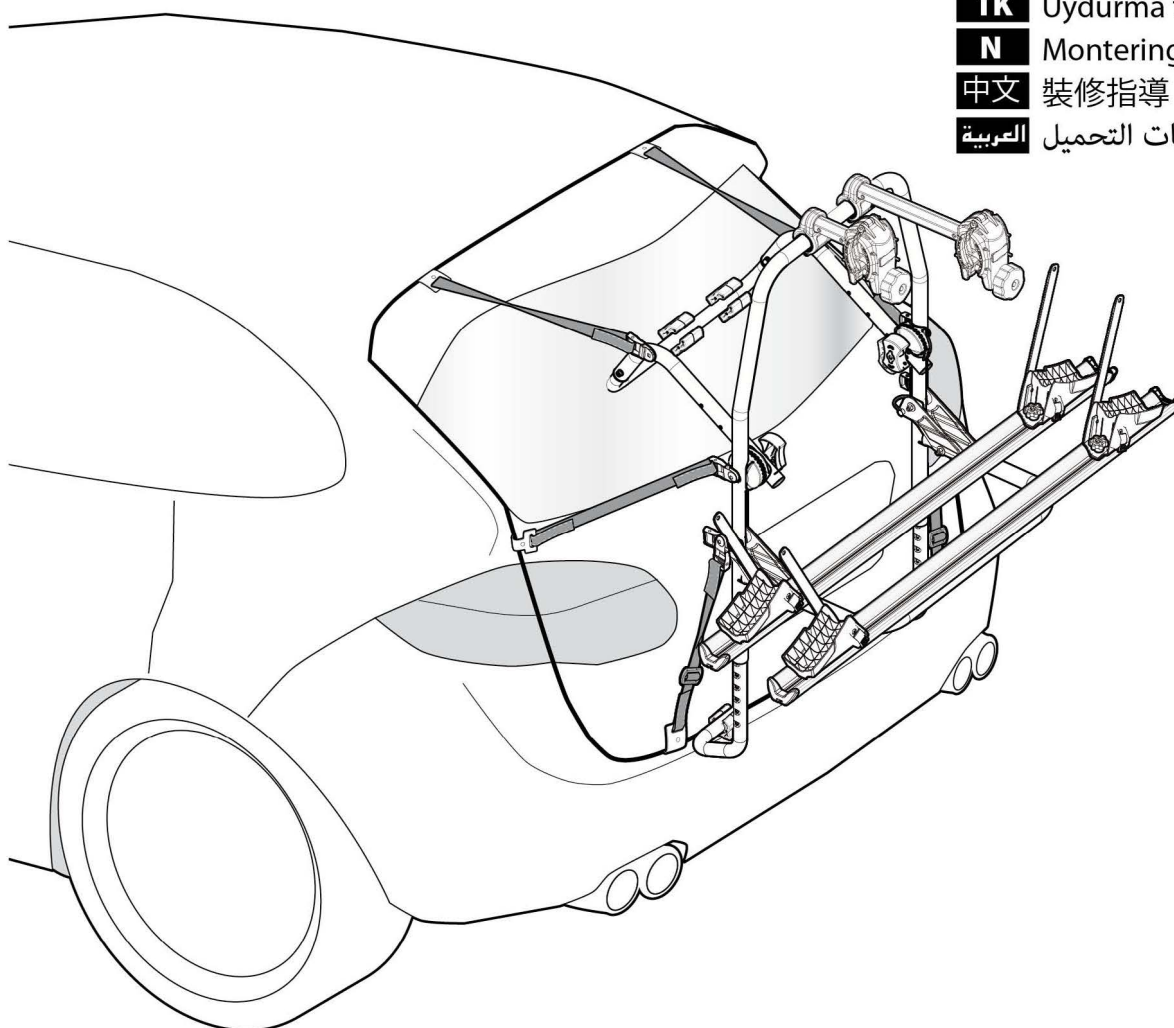


# STAND UP FULCRUM



x2 

x3 



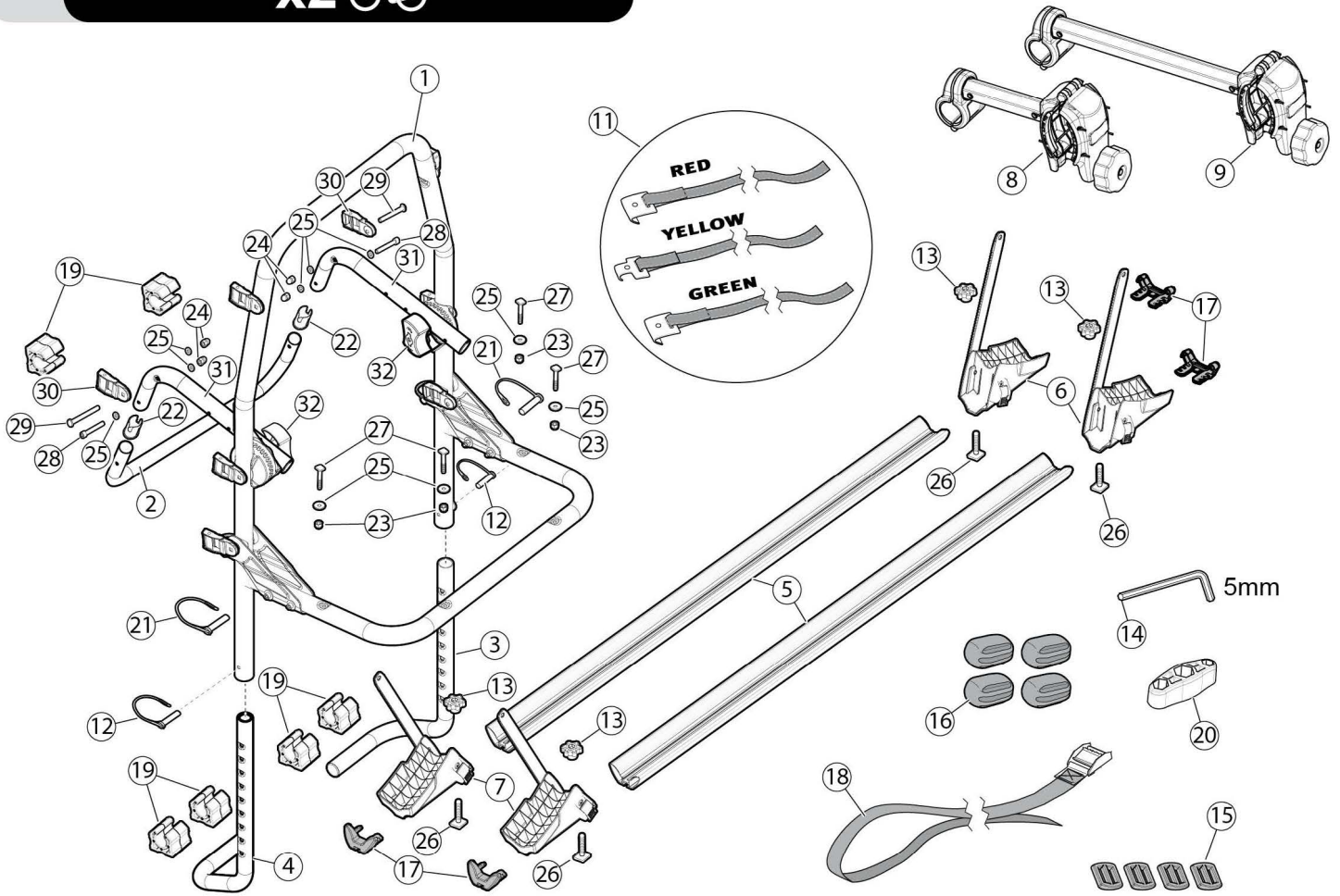
- I** Istruzioni per il montaggio
- GB** Fitting instructions
- D** Montageanleitung
- F** Instructions de montage
- E** Instrucciones de montaje
- NL** Montage-instructies
- PT** Instruções de Montagem
- S** Monteringsanvisning
- FIN** Asennusohje
- EST** Paigaldusjuhend
- LAT** Stiprināšanas instrukcija
- LIT** Pritvirtinimo instrukcijos
- PL** Instrukcja montażu
- RU** Инструкции по установке
- CZ** Návod na montáž
- SK** Návod na montáž
- SLO** Navodila za pritrjevanje
- HR** Uputa za sastavljanje
- HU** A felszerelés módja
- GR** Οδηγίες συναρμολόγησης
- DK** Monteringsvejledning
- RO** Instrucțiuni de montare
- TK** Uydurma talimat
- N** Monteringsveiledning
- 中文** 裝修指導
- العربية** تعليمات التجميع



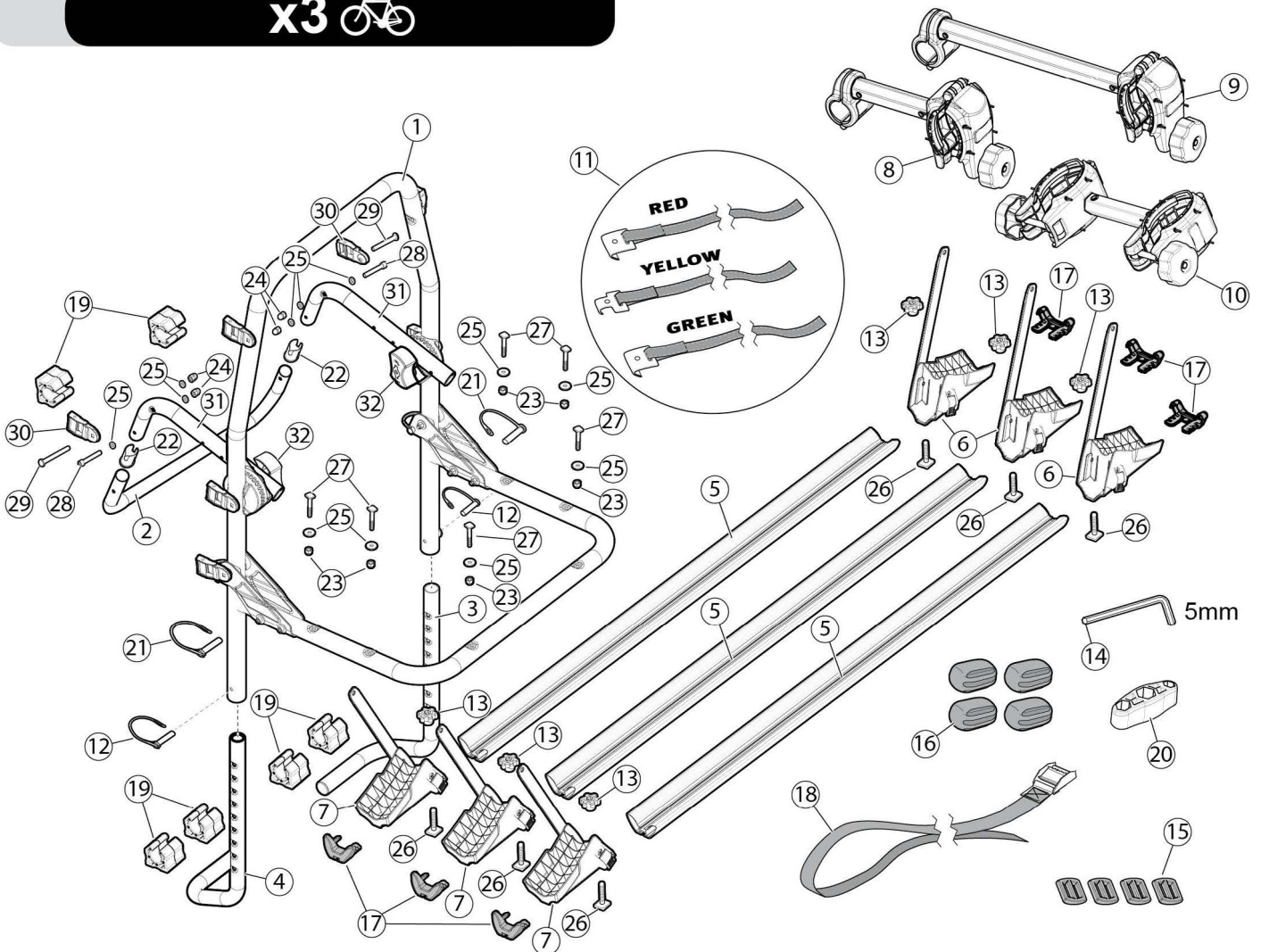
N.	I Componenti (Inclusi) GB Components (Included) F Composants (Comprises) DE Die Komponenten (im Lieferumfang enthalten) E Componentes (Incluido) RU Компоненты (в комплекте)	STAND UP FULCRUM	STAND UP3 FULCRUM 3	
		x2	x3	
		Q.	Q.	
1		1	1	
2		1	1	
3	DX	1	1	
4	SX	1	1	
5		2	3	
6	DX	2	3	
7	SX	2	3	
8		1	1	
9		1	1	
10		-	1	
11		RED	2	2
		YELLOW	2	2
		GREEN	2	2
12	6x37	2	2	
13		4	6	
14	5mm	1	1	
15		4	4	
16		4	4	
17		4	6	
18	~2,5MT	1	1	
19		6	6	
20		1	1	
21	6x55	2	2	
22		2	2	
23	M6	4	6	
24	M6	4	4	
25	6x12	10	12	
26	M6x25	4	6	
27	M6x35	4	6	
28	M6x40	2	2	
29	M6x35	2	2	
30		2	2	
31		2	2	

N.	I Ricambi (A Richiesta) GB Spare Parts (Made to order) F Pièces de rechange (Sur commande) DE Teile (auf Anfrage) E Piezas de recambio (Previa solicitud) RU Запасные части (по запросу)	Q.	Codice Code Code Code Código код
7	DX	1	
8		1	700003200000
9		1	700003100000
10		1	700006900000
11		1	700002200000
12	6x37	1	700006000000
13		1	700001300000
26	M6x25	1	
14	5mm	1	700025000000
15		2	700002400000
16		4	700002600000
17		2	700015500000
18	~2,5MT	1	700001100000
19		1	700015600000
20		1	700017500000
21	6x55	2	700015700000
23	M6	6	700015400000
24	M6	4	
25	6x12	12	
26	M6x25	6	
27	M6x35	6	
28	M6x40	2	
29	M6x35	2	
30		4	
	M6x35	4	
23	M6	4	
	6x18	4	
	M6x95	4	
32		1	700017000000

# x2



# x3

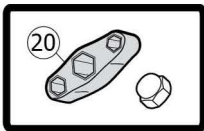
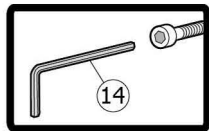


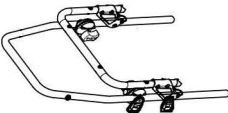










I

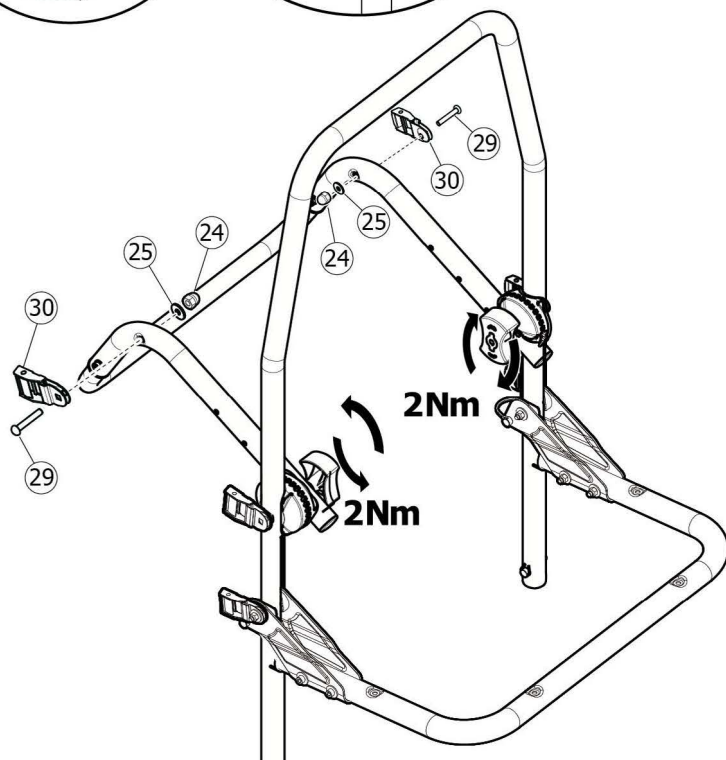
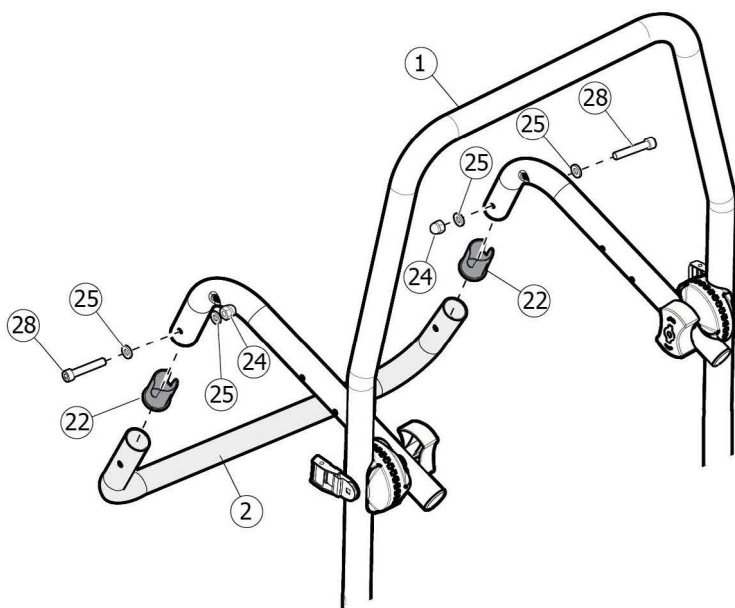
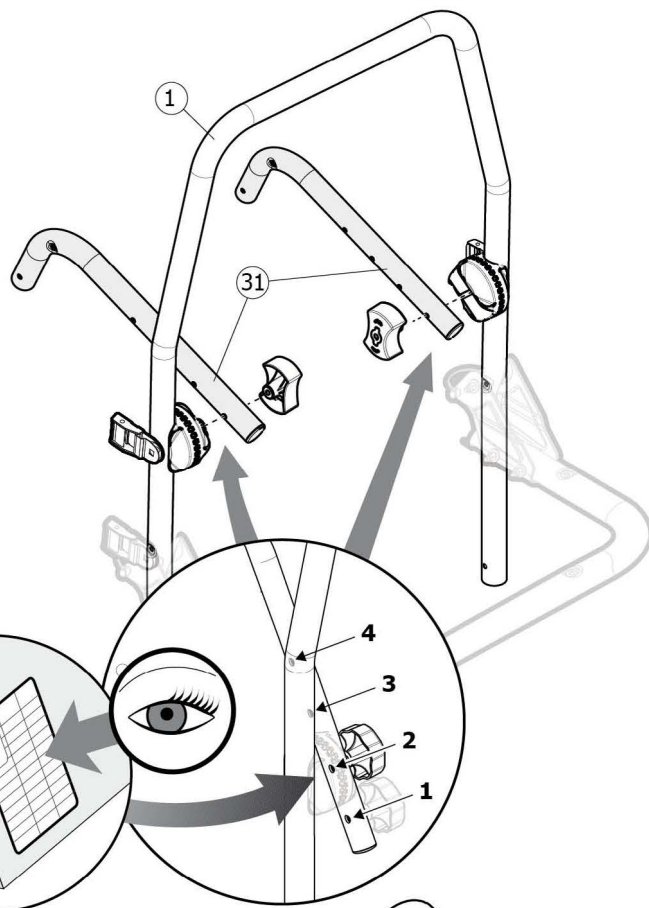
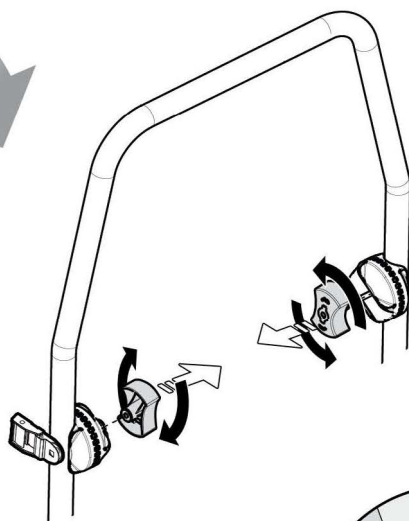
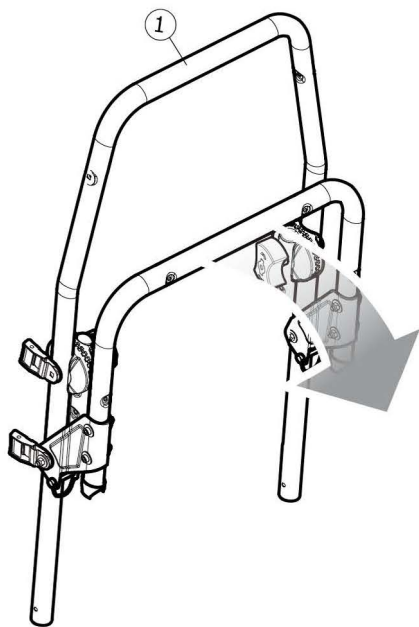
x2 

x3 

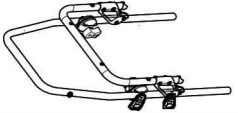

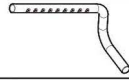
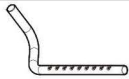
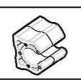



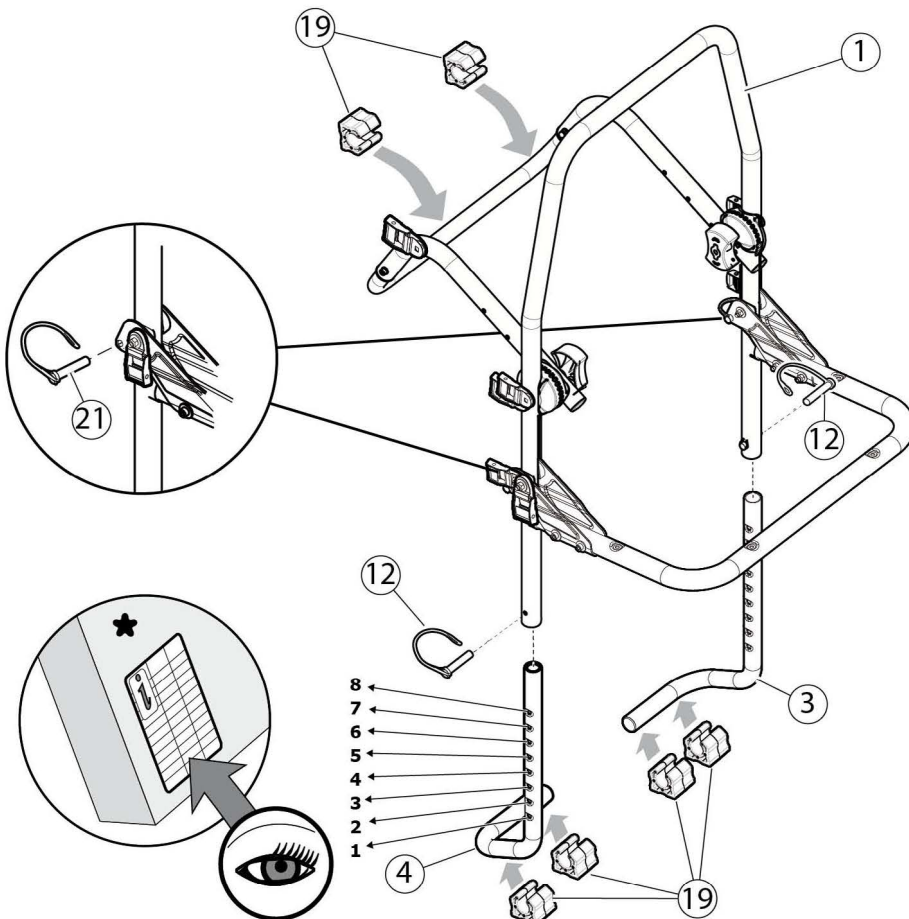
N.		Q.
1		1
2		1
31		2
29		2







N.		Q.
22		2
24		4
25		6
28		2
30		2

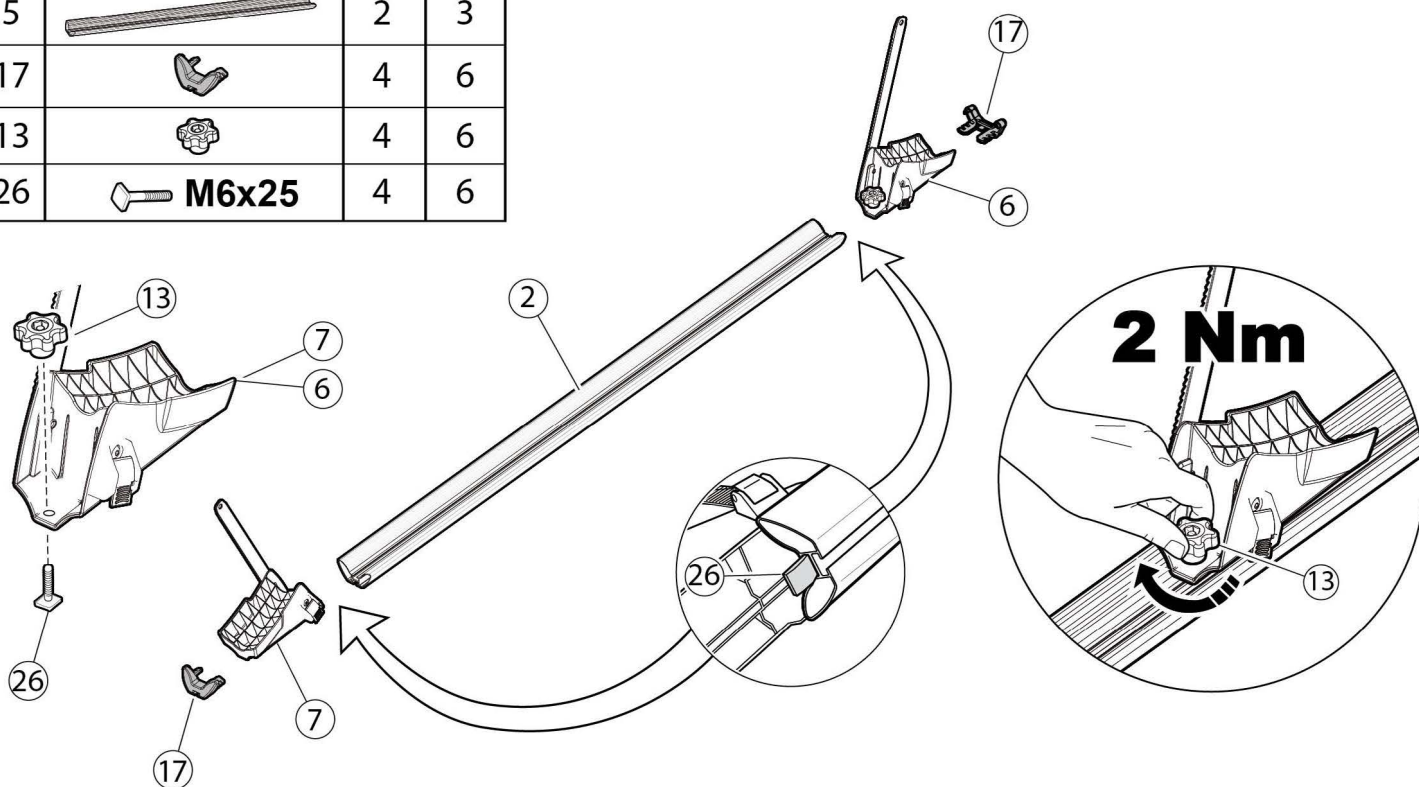
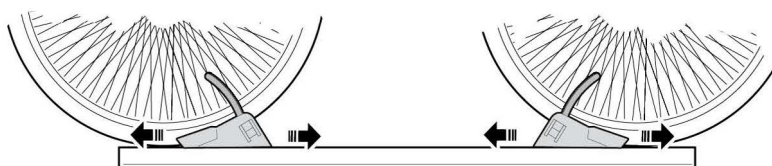


**2****x2** **x3** 

N.		Q.
1		1
21	 <b>6x55</b>	2
3	 <b>DX</b>	1
4	 <b>SX</b>	1
19		6
12	 <b>6x37</b>	2

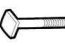
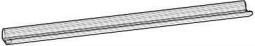


**3****x2** **x3** 

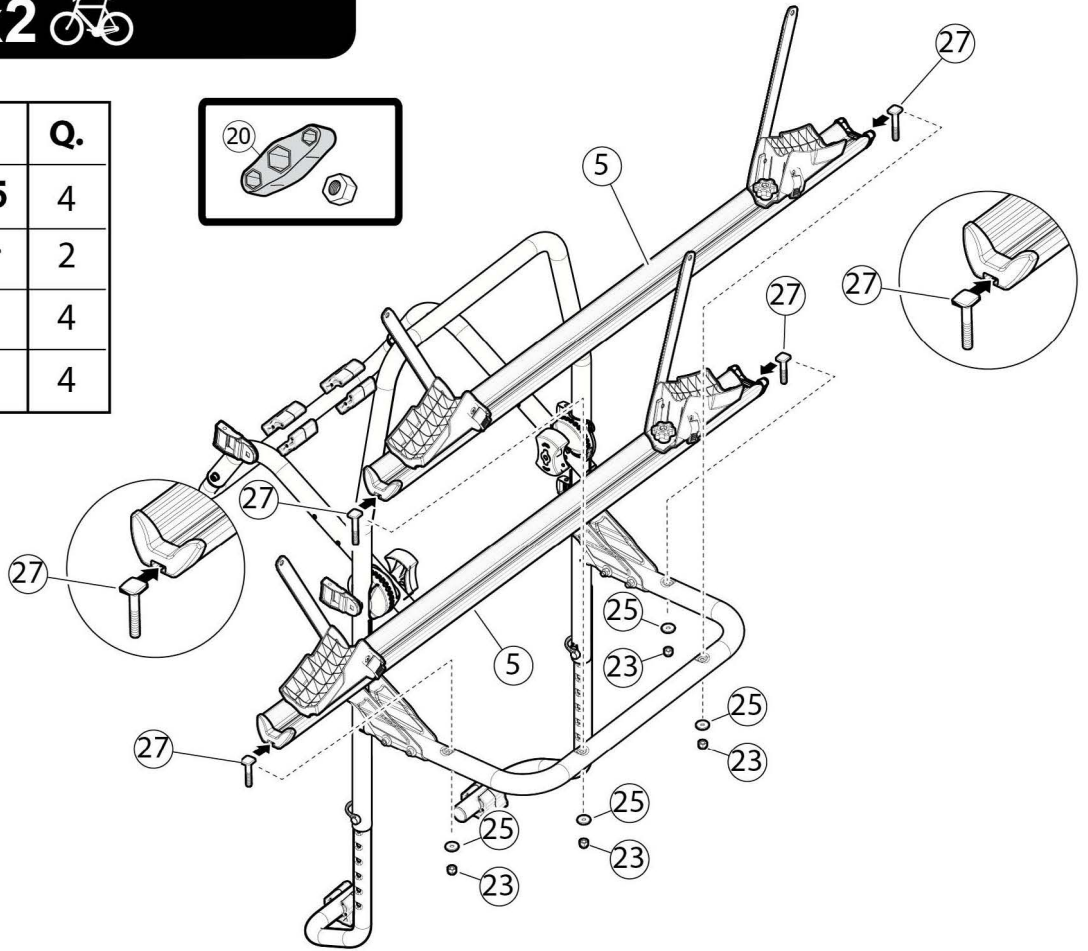
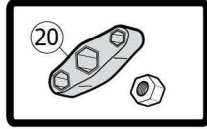
N.		Q. x2	Q. x3
7	 <b>SX</b>	2	3
6	 <b>DX</b>	2	3
5		2	3
17		4	6
13		4	6
26	 <b>M6x25</b>	4	6



4

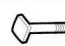



x2 

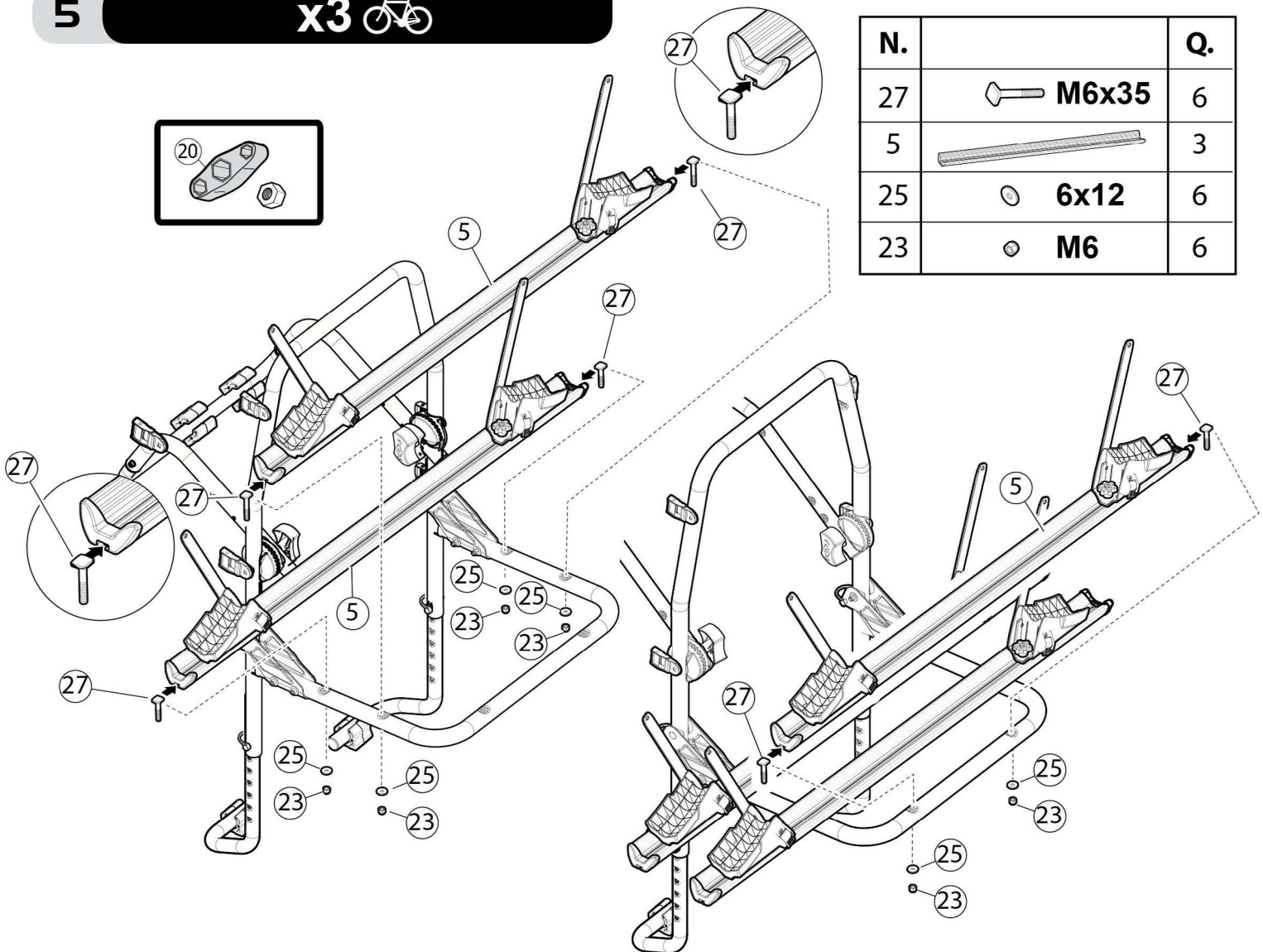
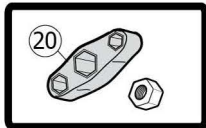
N.		Q.
27	 M6x35	4
5		2
25	 6x12	4
23	 M6	4



5

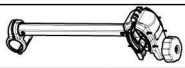

x3 

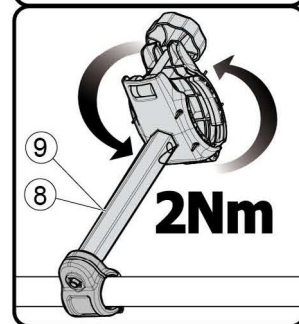
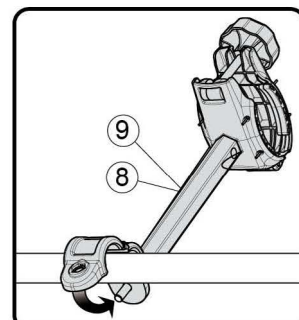
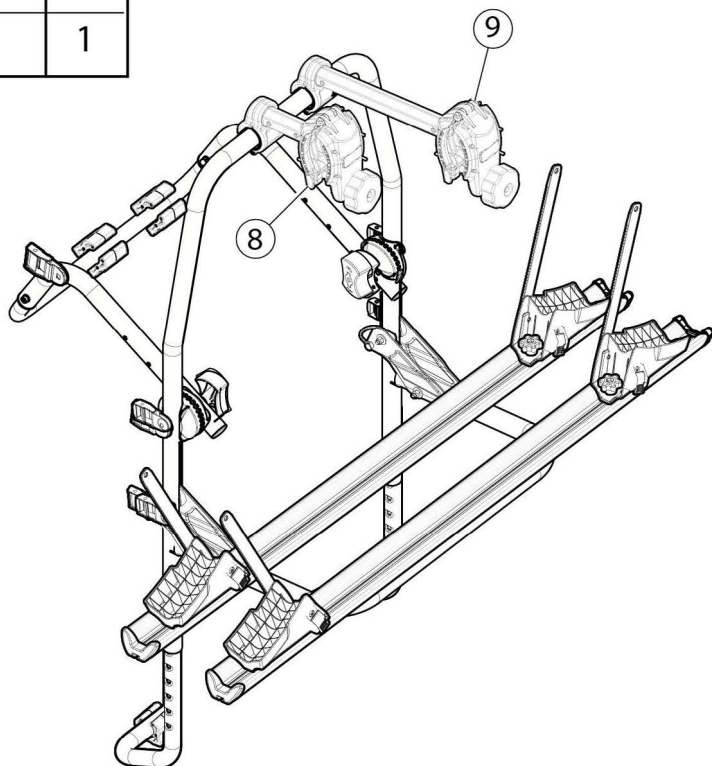
N.		Q.
27	 M6x35	6
5		3
25	 6x12	6
23	 M6	6



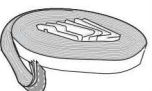
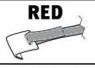

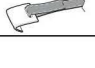



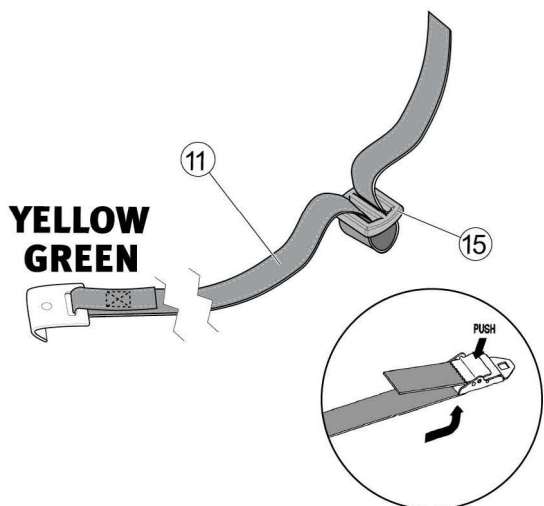
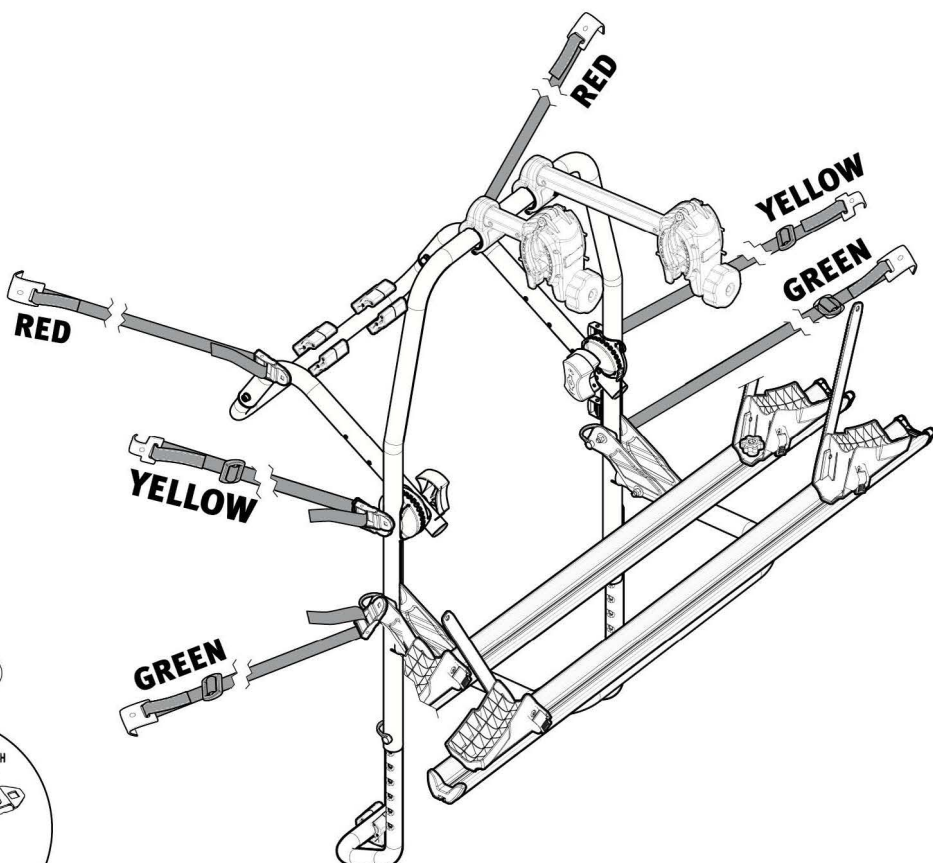
**6** x2  x3 

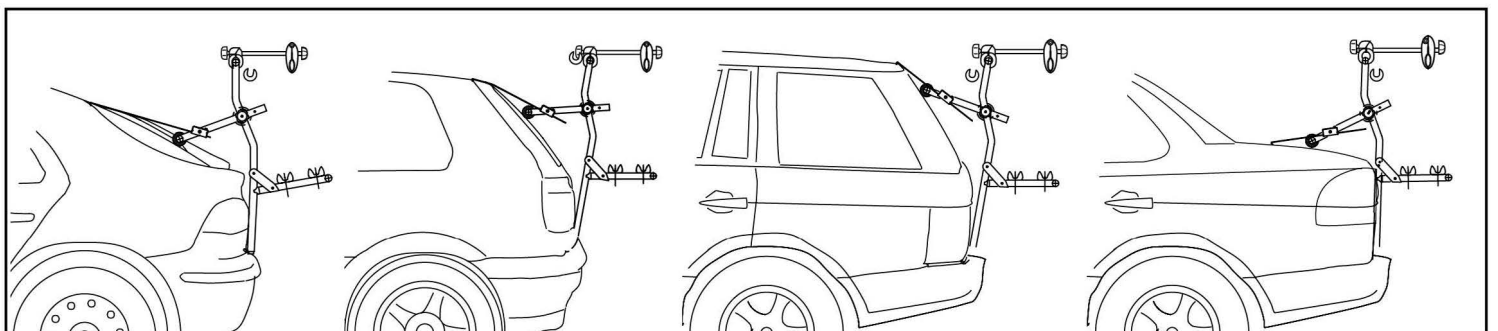
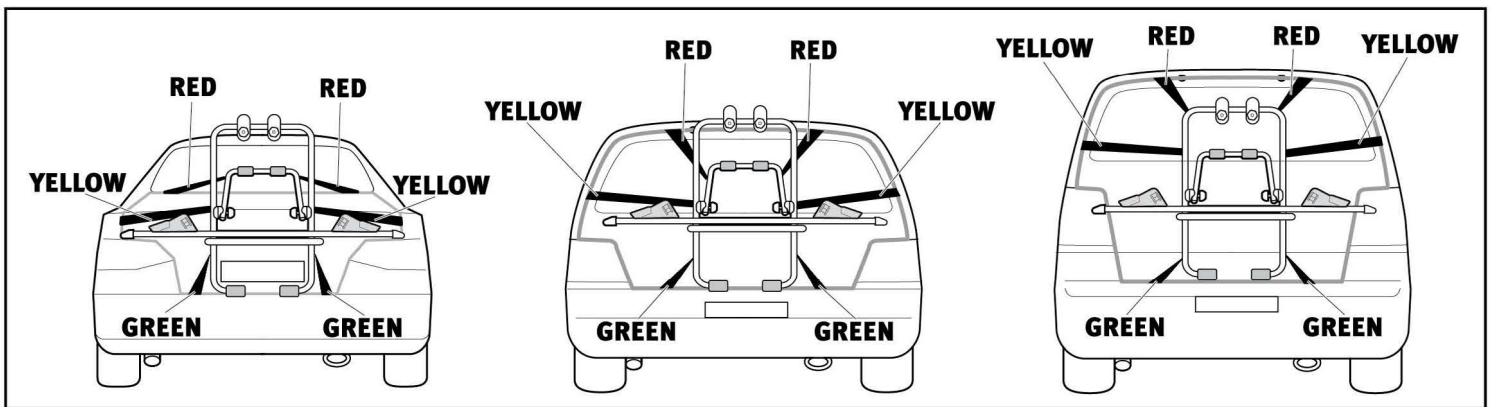
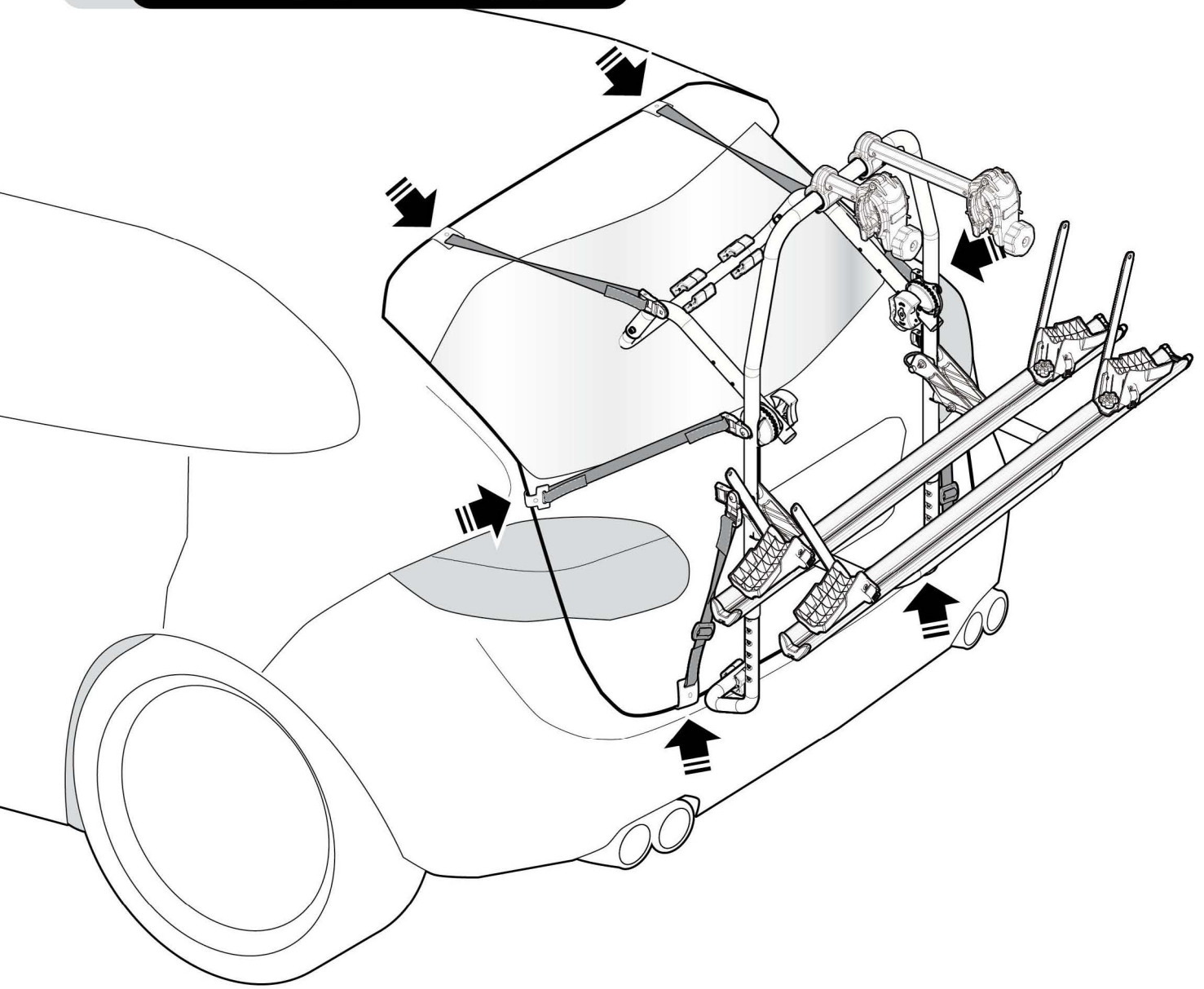
N.		Q.
9		1
8		1



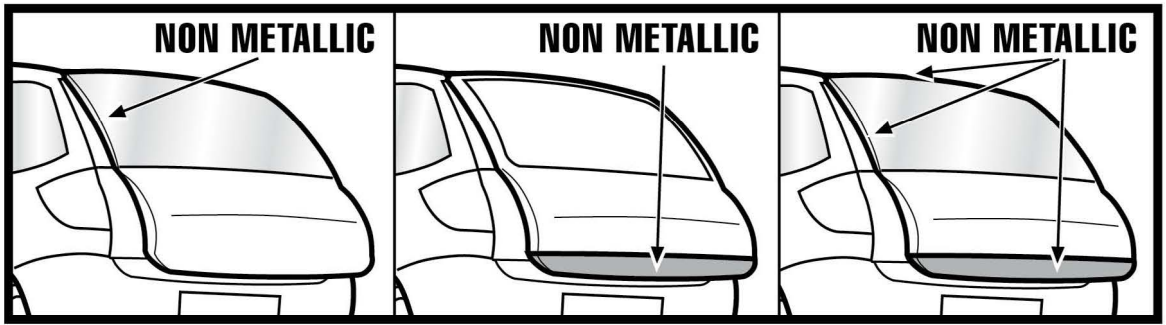
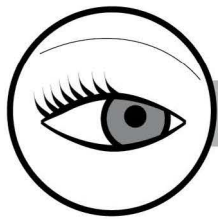
**7** x2  x3 

N.		Q.	
11		<b>RED</b> 	2
		<b>YELLOW</b> 	2
		<b>GREEN</b> 	2
15		4	

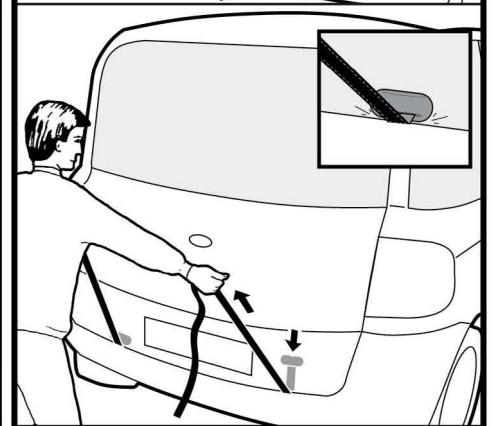
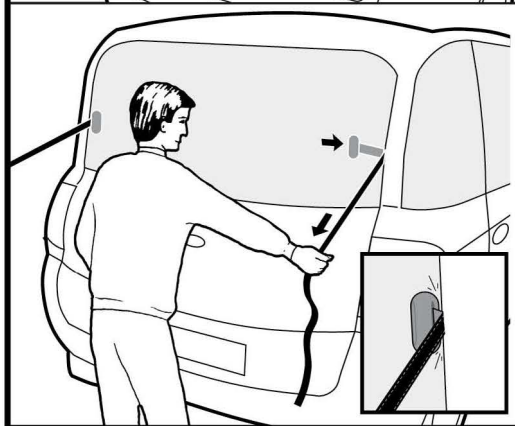
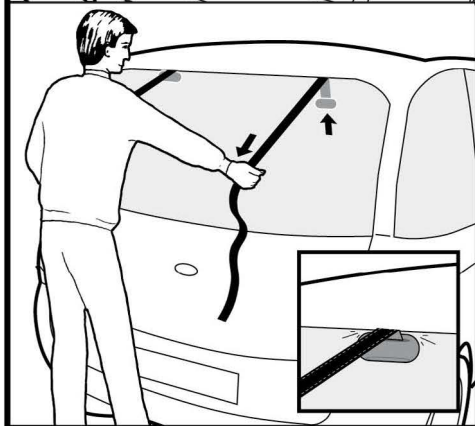
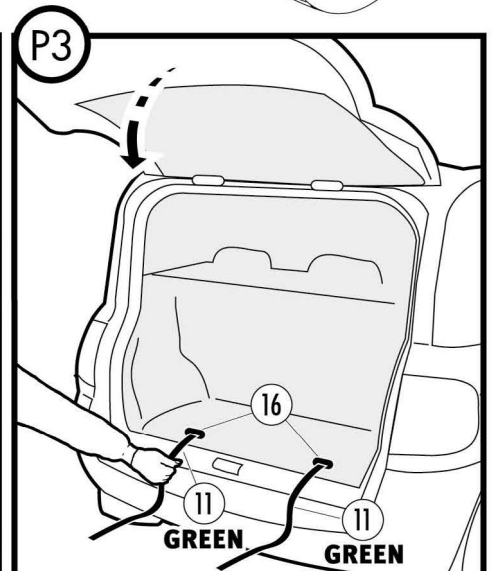
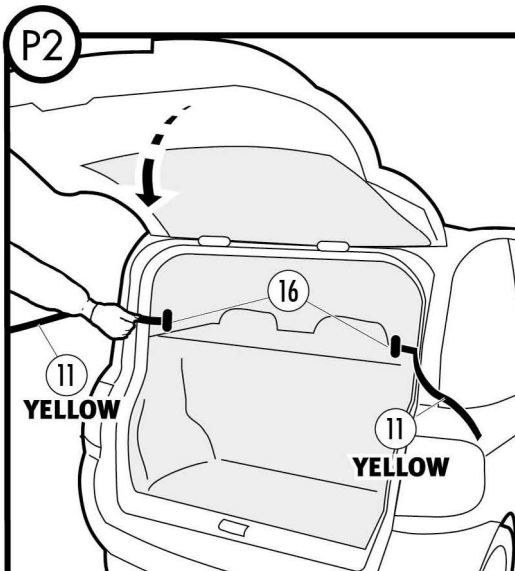
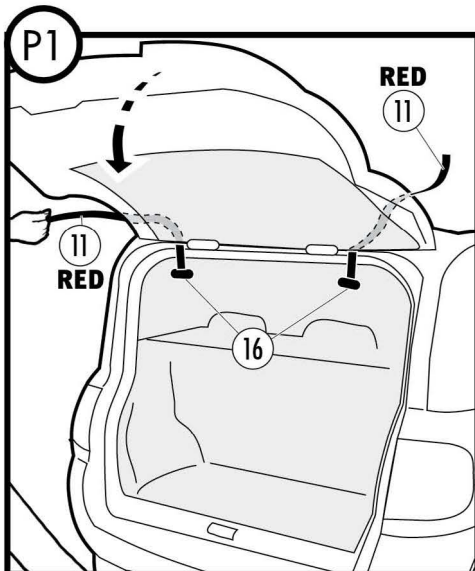
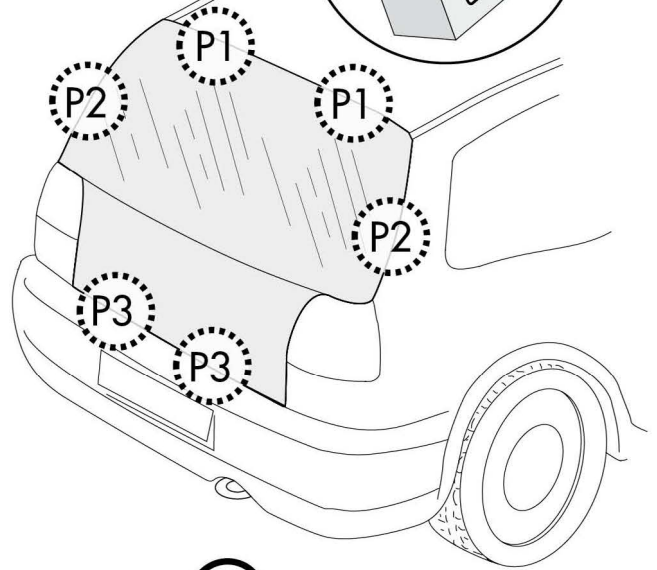
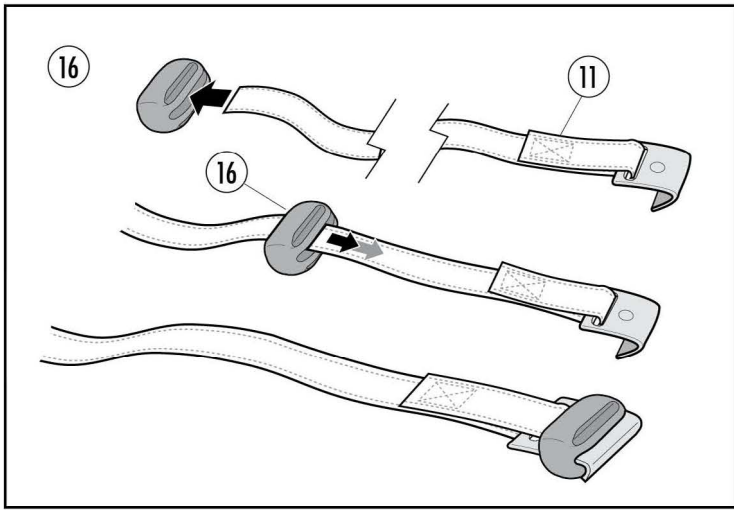
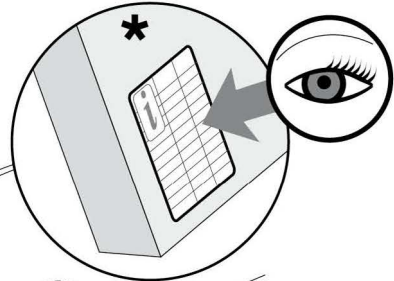






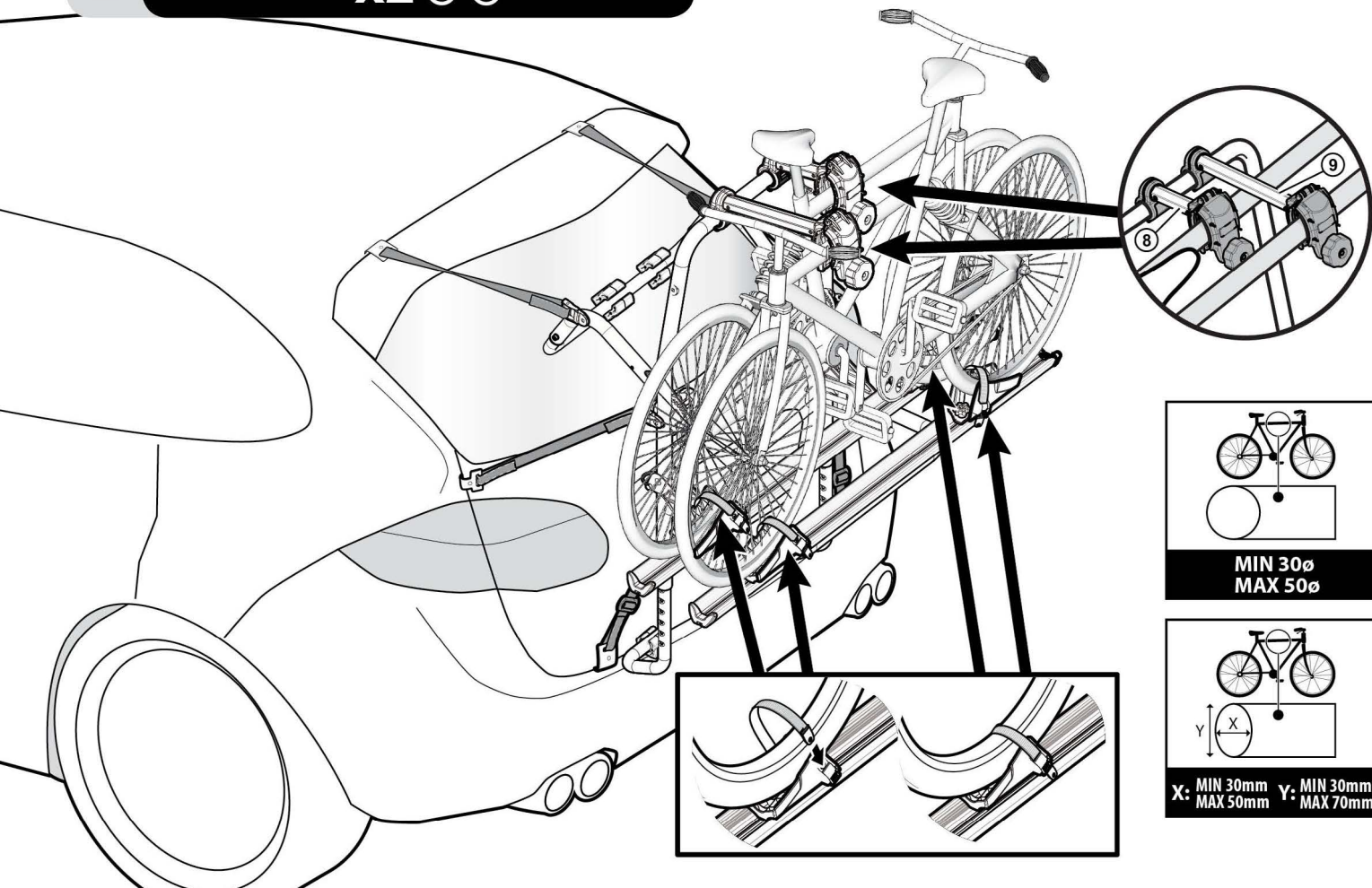


N.		Q.
16		4




9

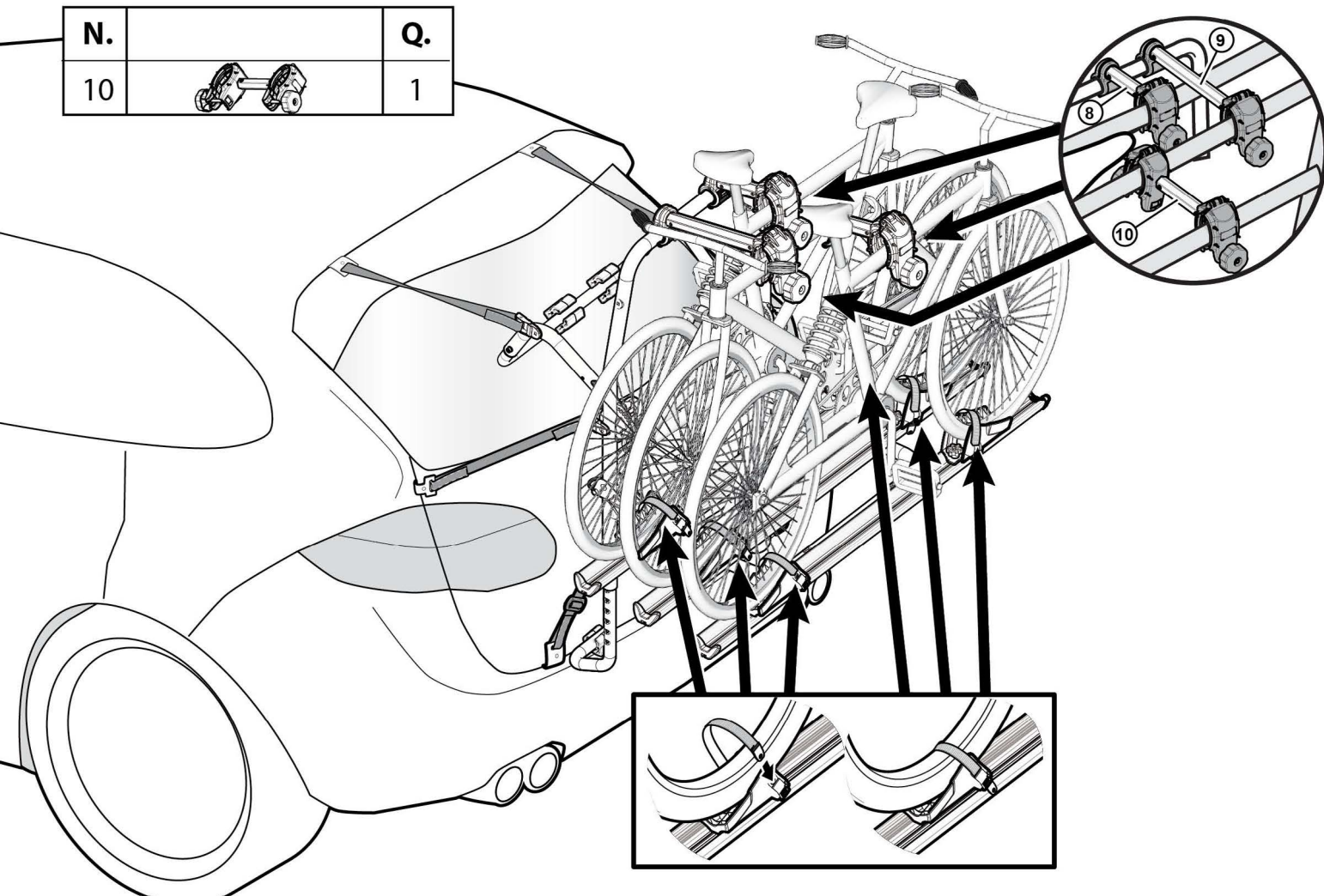
x2 



10

x3 

N.		Q.
10		1




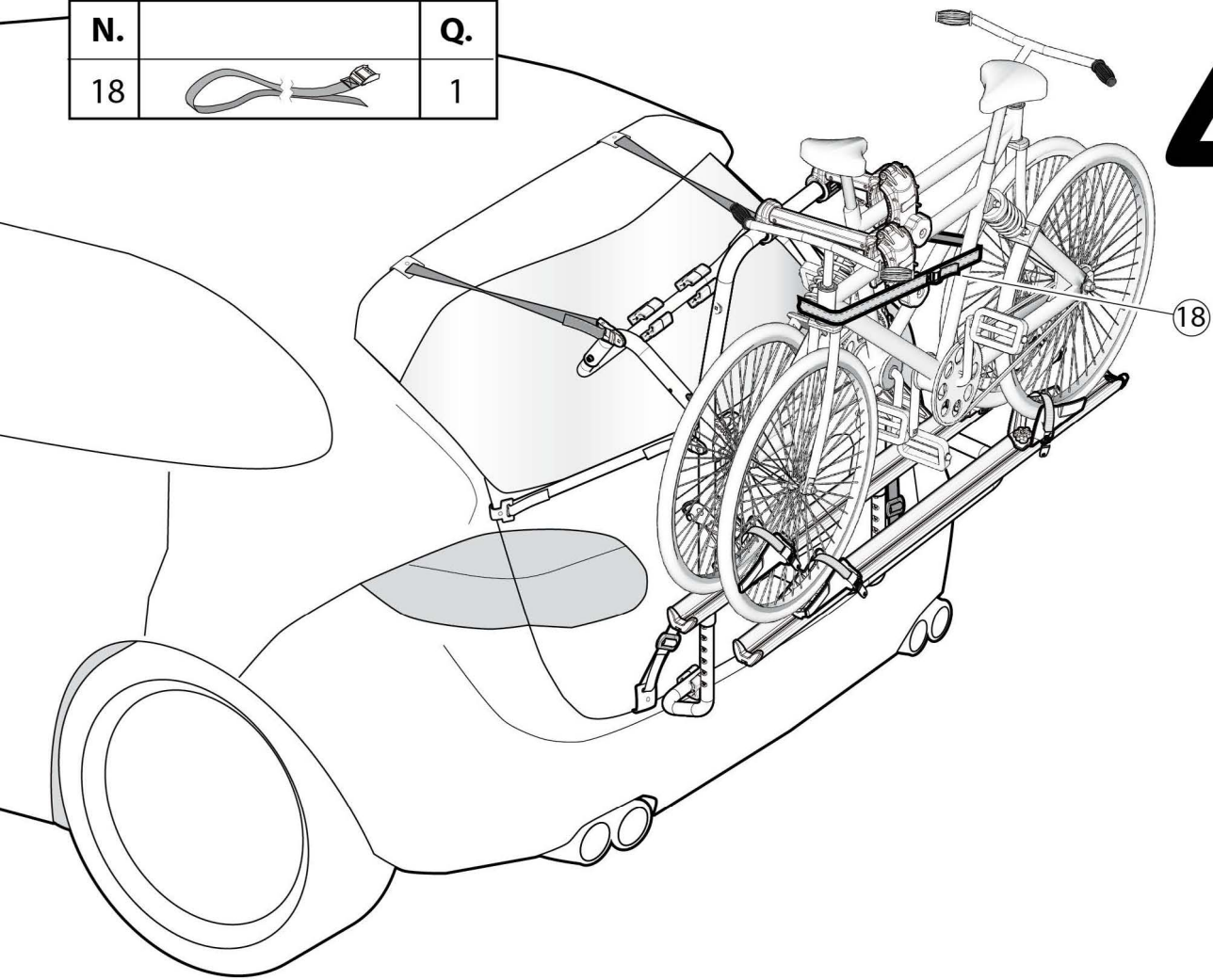


II

x2 

x3 

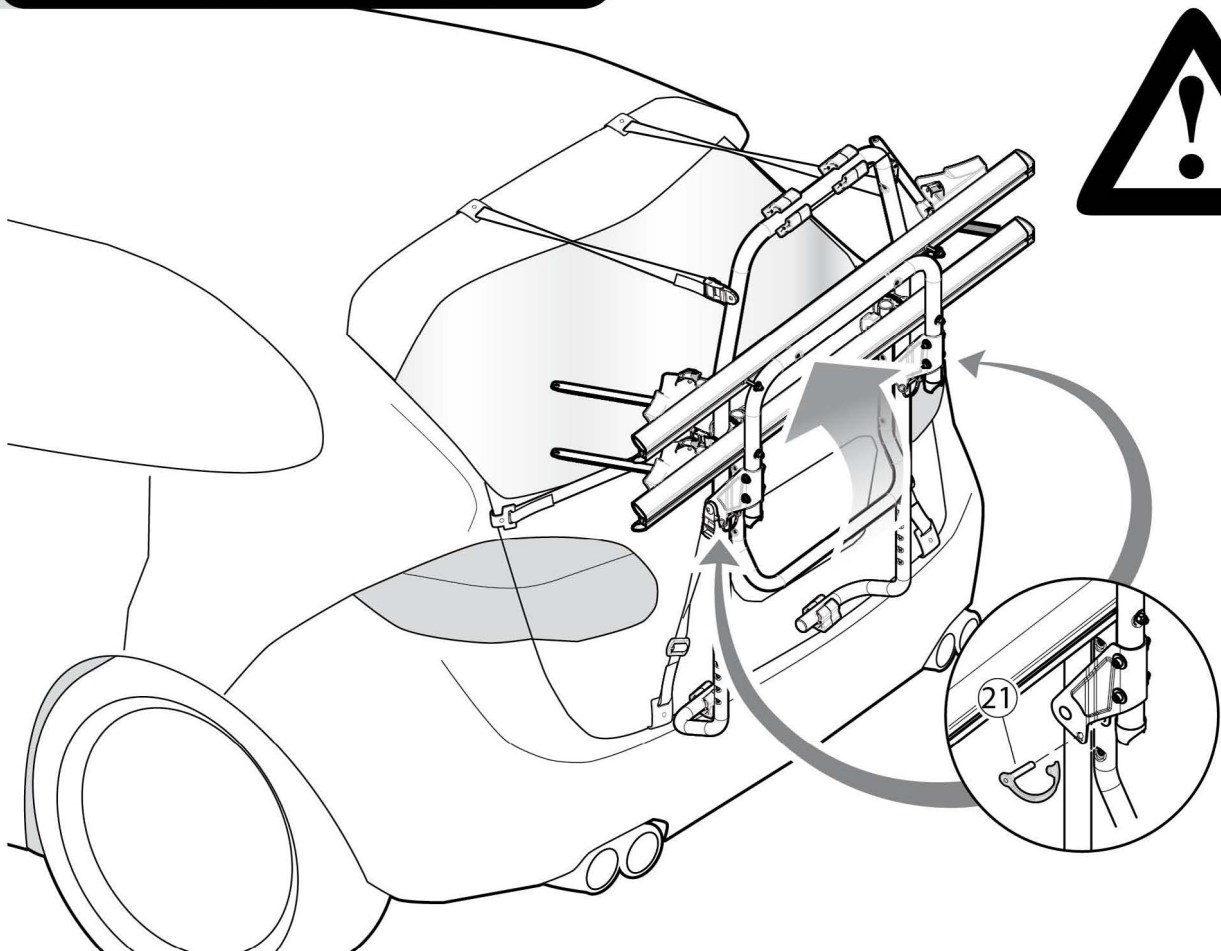
N.		Q.
18		1



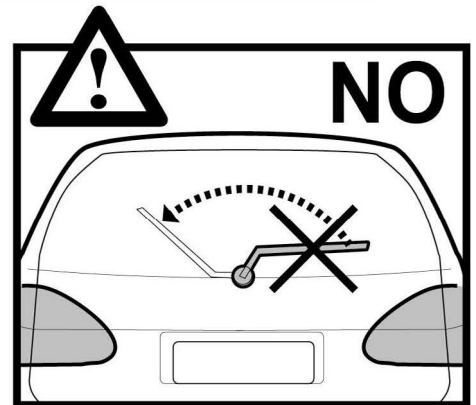
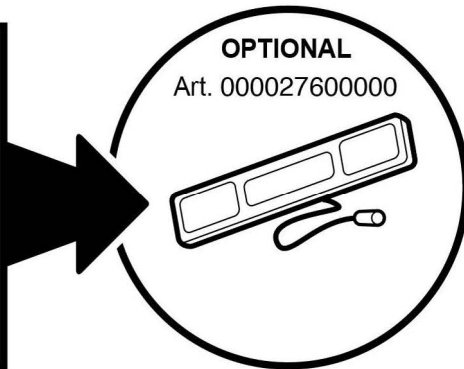
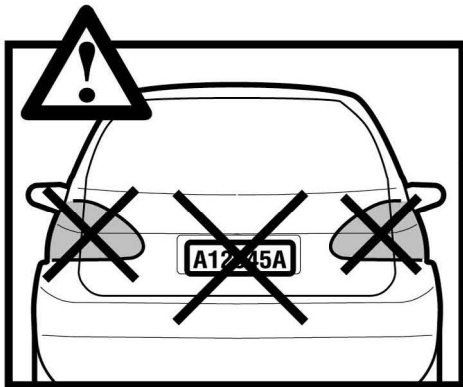
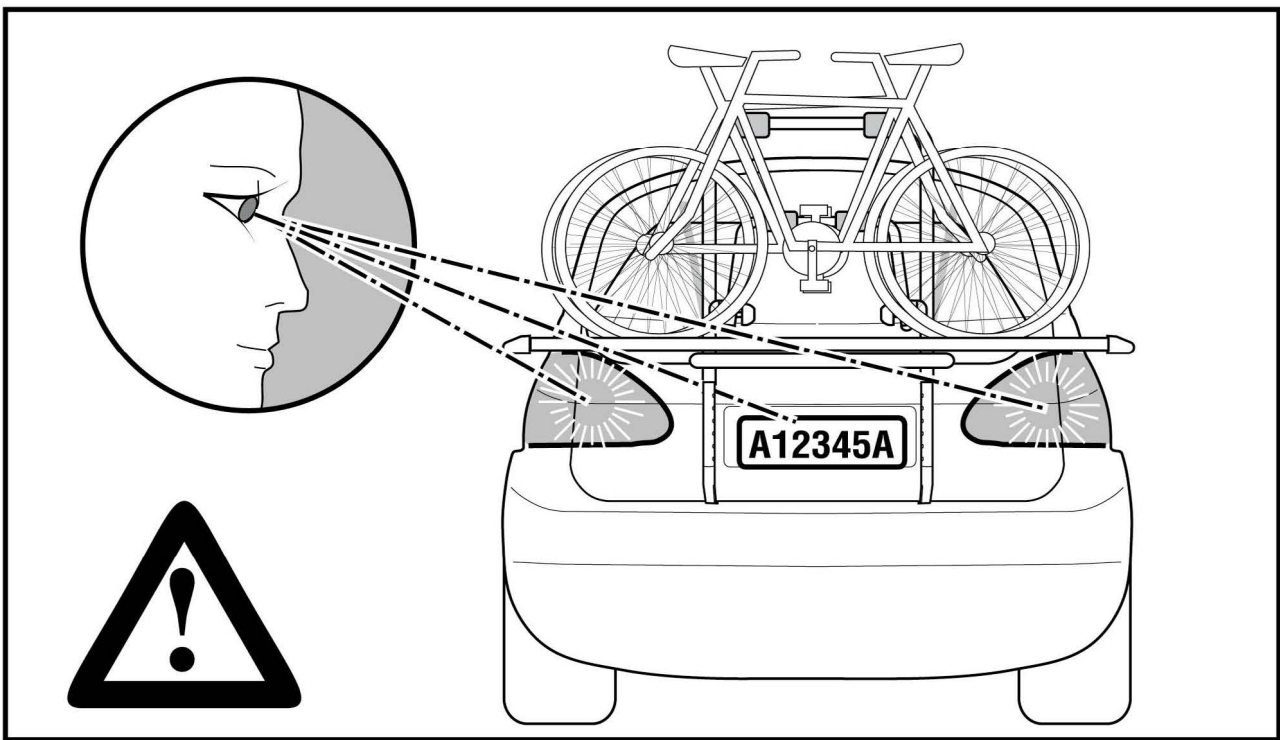
12

x2 

x3 







Cod. istr.	500008500003	Approvata da	EL/LM
Creata da	FM		
Data	09/06/2016		

		+	
			MAX 15 kg
STAND UP FULCRUM	11 kg		MAX 30 kg
STAND UP 3 FULCRUM 3	13,5 kg		MAX 45 kg



F.lli Menabò S.r.l.  
 Via 8 Marzo, 3  
 I - 42025 Cavriago (RE)  
 Tel. +39-0522/942840  
 Fax. +39-0522/942948  
 e-mail: info@flli-menabo.it  
 Web-site: www.flli-menabo.it  
 www.m-way.it